



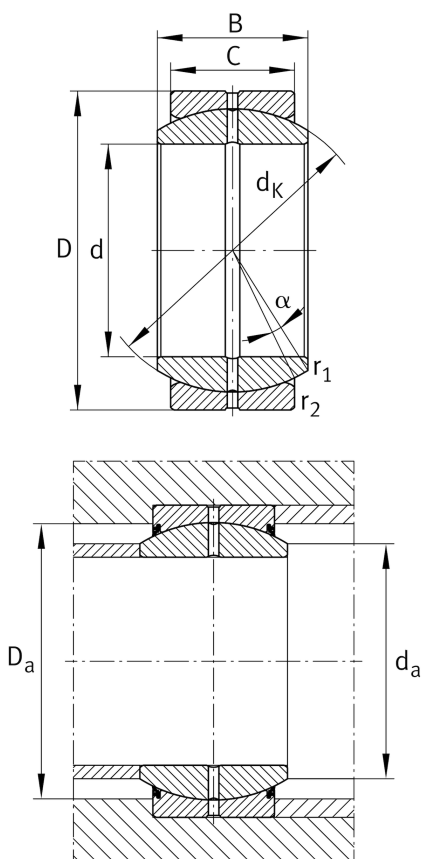
## GE16-DO

### Spherical plain bearing

Schaeffler ID:  
0066526460000

Radial spherical plain bearing, requiring maintenance, sliding contact surface: steel/steel, DIN ISO 12240-1, dimension series E, open design

### Technical information



### Main Dimensions & Performance Data

d	16 mm	Bore diameter bearing
D	30 mm	Outside diameter bearing
B	14 mm	Width Inner ring
C <sub>r</sub>	21,300 N	Basic dynamic load rating, radial
C <sub>0r</sub>	106,000 N	Basic static load rating, radial
	44 g	Weight

### Dimensions

C	10 mm	Width Outer ring
d <sub>K</sub>	25 mm	Ball diameter
α	10 °	Tilt angle
r <sub>1smin</sub>	0.3 mm	Edge Spacing
r <sub>2smin</sub>	0.3 mm	Edge Spacing
d <sub>OT</sub>	0 mm	Bore diameter bearing, upper tolerance
d <sub>UT</sub>	-0.008 mm	Bore diameter bearing, lower tolerance
D <sub>OT</sub>	0 mm	Outside diameter, upper tolerance
D <sub>UT</sub>	-0.009 mm	Outside diameter, lower tolerance
B <sub>OT</sub>	0 mm	Width inner ring, upper tolerance
G <sub>r</sub>	0,04 - 0,082 mm	Radial Clearance
B <sub>UT</sub>	-0.12 mm	Width inner ring, lower tolerance
C <sub>OT</sub>	0 mm	Width outer ring, upper tolerance

### Mounting dimensions

d <sub>a max</sub>	20.7 mm	Connection measure Inner ring
D <sub>a min</sub>	24 mm	Housing Connection Diameter

### Temperature range

T <sub>min</sub>	-60 °C	Operating temperature min.
T <sub>max</sub>	200 °C	Operating temperature max.